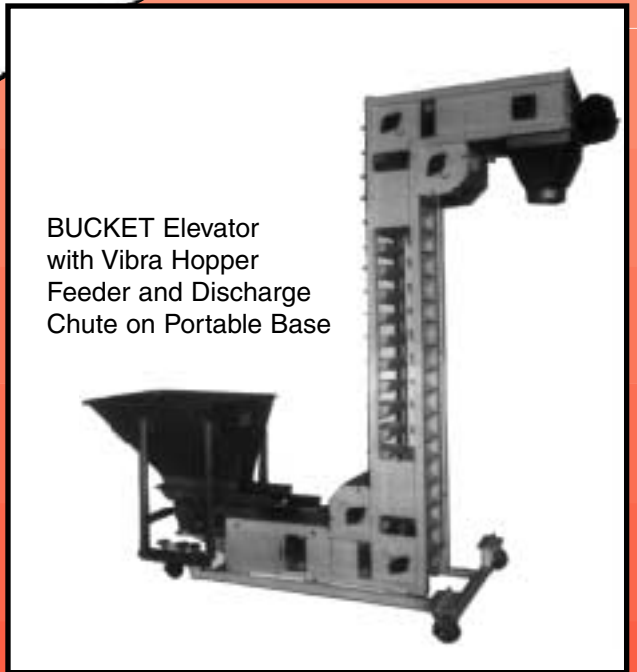


Deamco Container
Elevator/Lowerator
CESG / CLSG Series

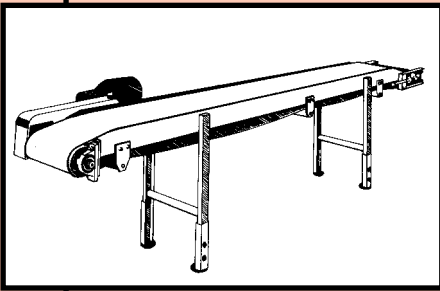


BUCKET Elevator
with Vibra Hopper
Feeder and Discharge
Chute on Portable Base

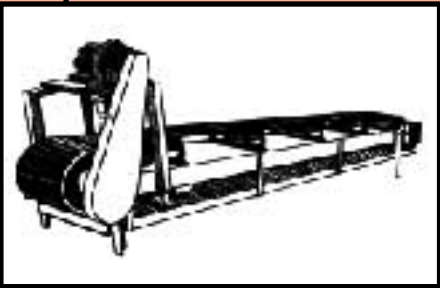
CONVEYORS

- BELT ■ VIBRATORY ■ TABLE TOP ■ MESH
- BUCKET ELEVATOR/LOWERATOR

deamco ■ CONTAINER ELEVATOR/LOWERATOR ■ CUSTOMIZED
DESIGN, ENGINEERING & ASSOCIATED MANUFACTURING COMPANY



- Modern streamlined frames
- Sanitary constructions
- One piece formed channels
- Quick coupling sections
- Latest design in motor and drive



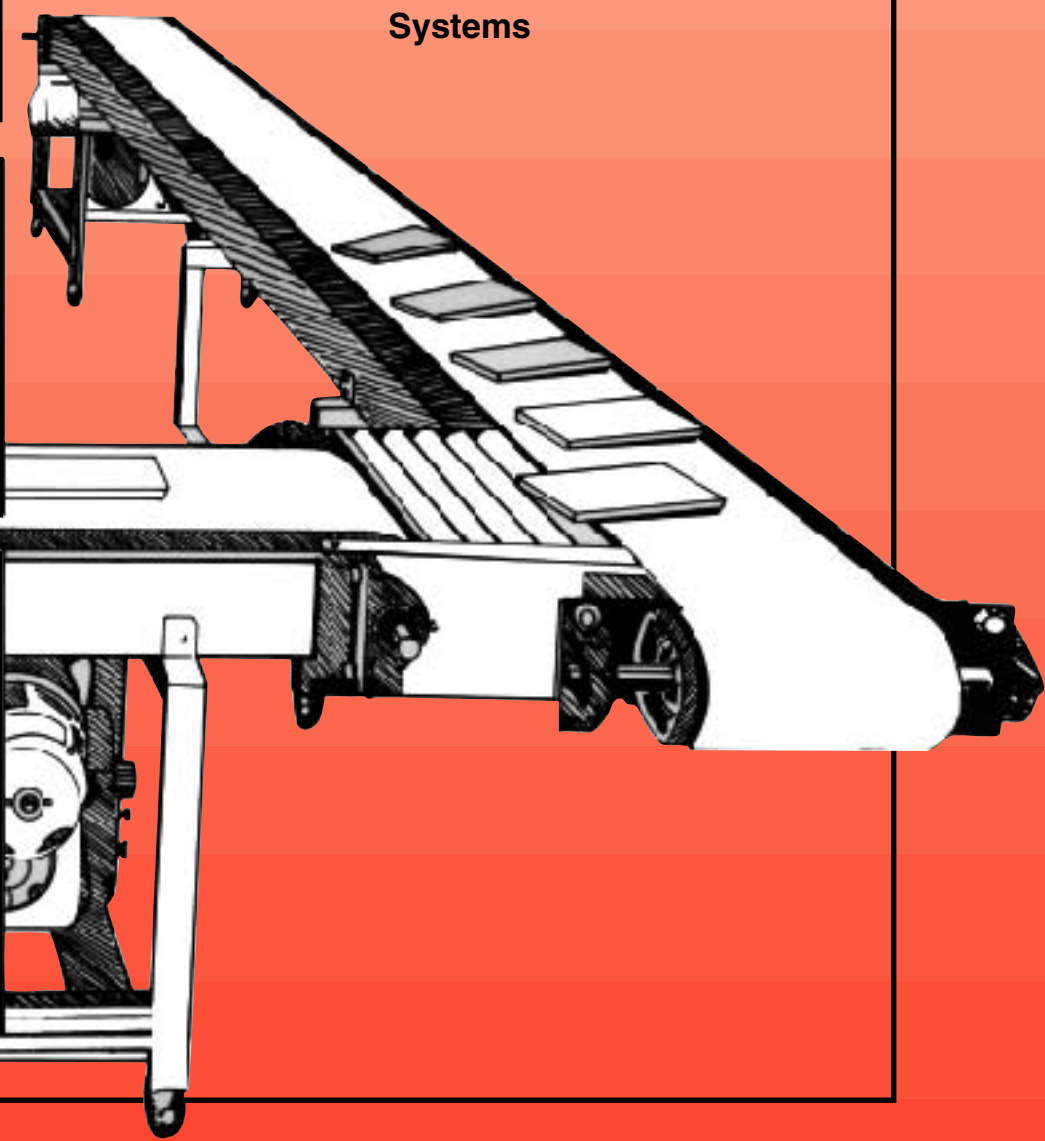
Standards

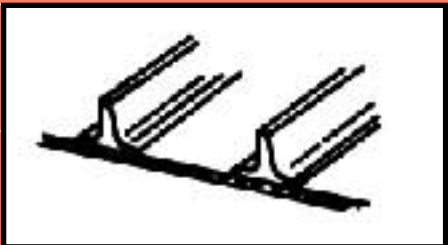
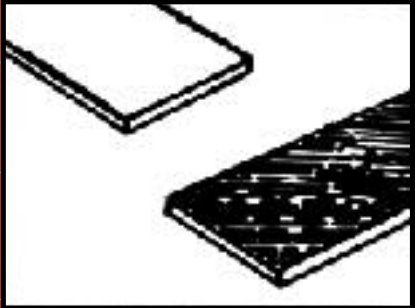
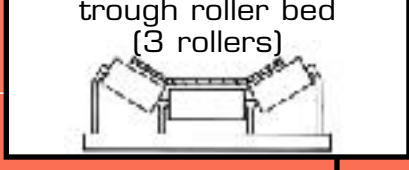
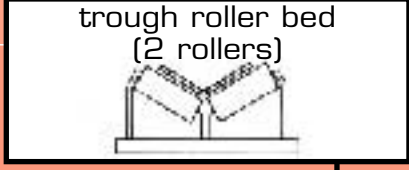
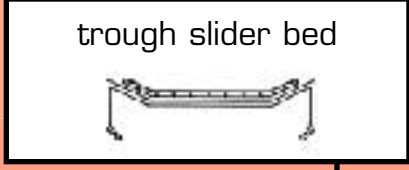
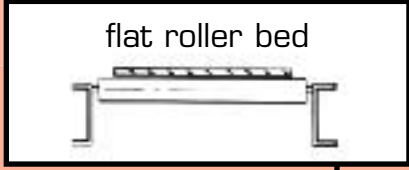
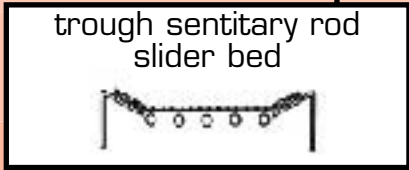
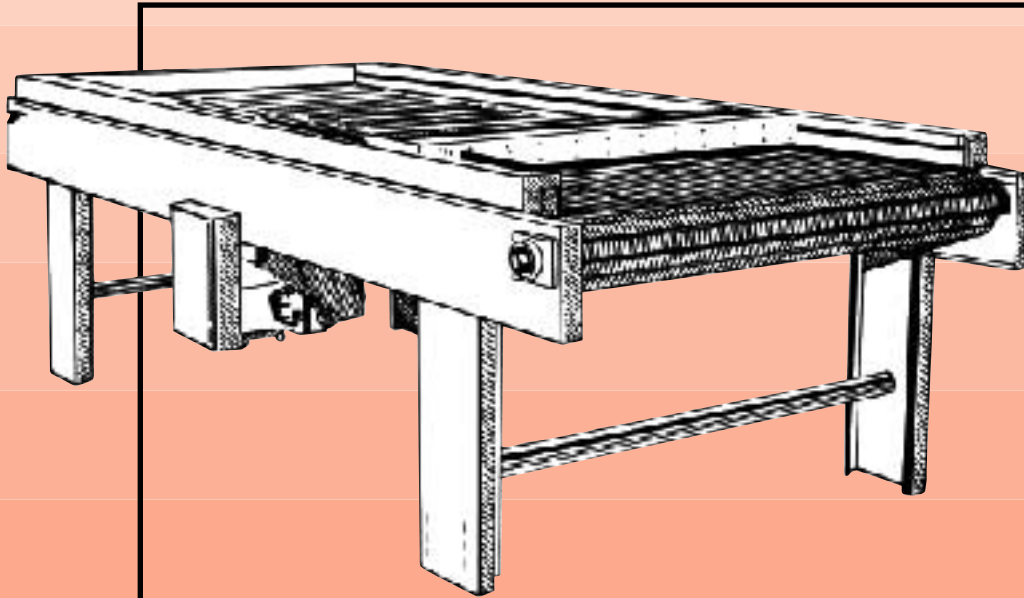


Customized

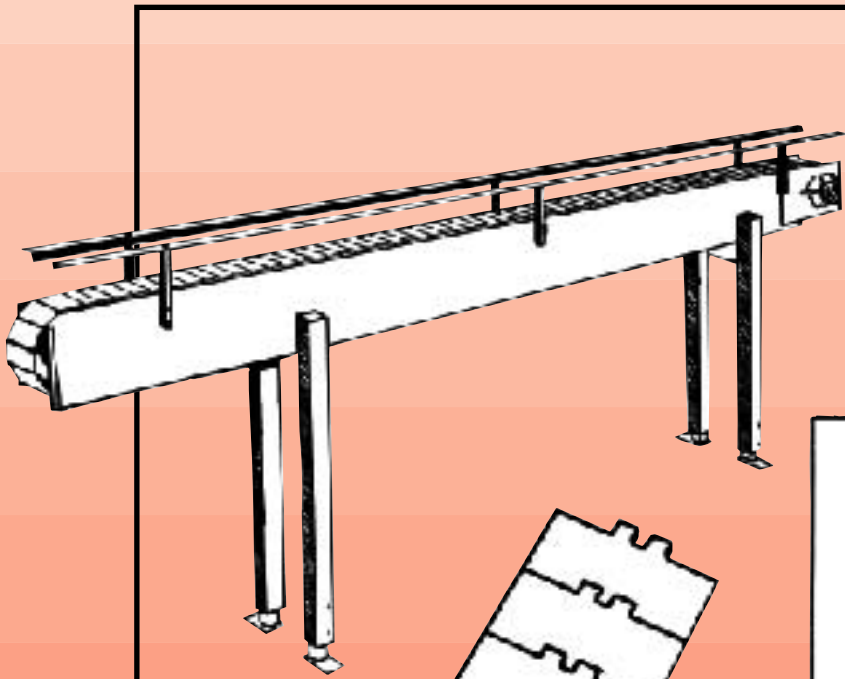


Systems

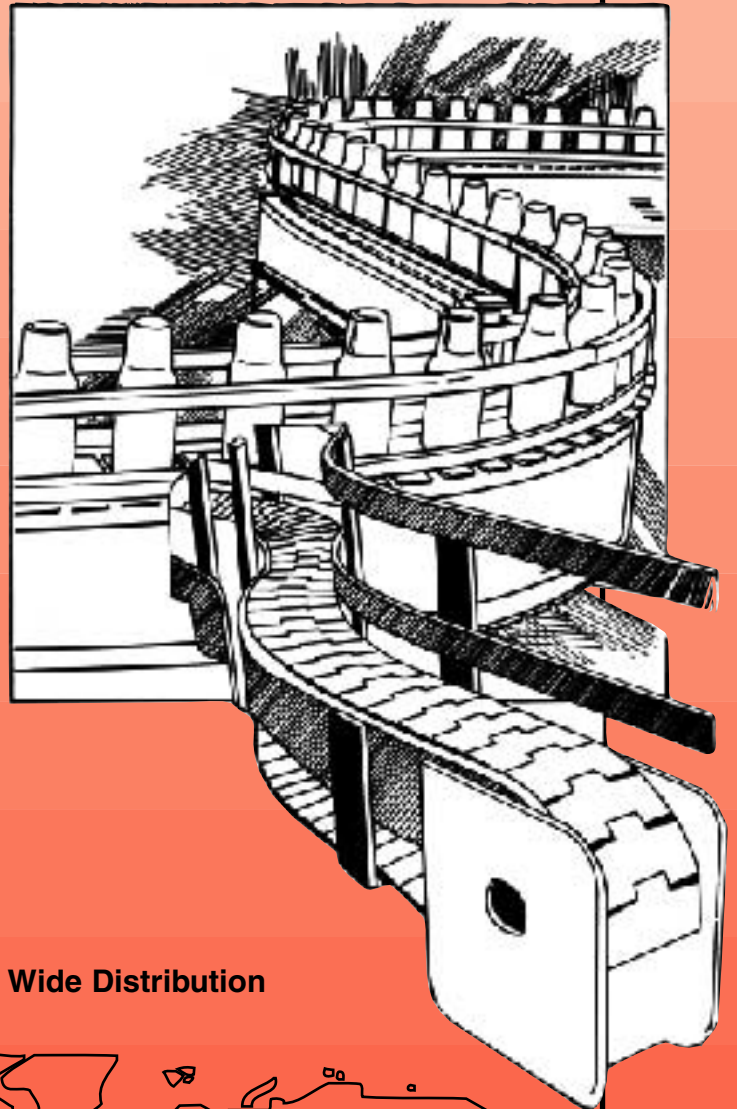
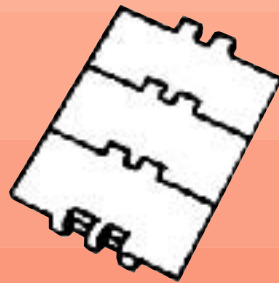




To move a variety of products or product sizes efficiently and economically. Contact Deamco for your conveying needs.



Deamco Table Top
Conveyors incorporate
the most recent im-
provements in design
and materials and are
ideal for conveying,
accumulating, and
indexing of containers.



Models for:

CANS ■ CARTONS ■ BOXES
■ CASES ■ JARS ■ BOTTLES
■ PARTS ■ OTHERS

World Wide Distribution

Area Representative:



DESIGN, ENGINEERING & ASSOCIATED MANUFACTURING COMPANY

6520 East Washington Blvd., City of Commerce, CA 90040-1822
Phone (323) 890-1190 • FAX (323) 890-1139 • (800) 933-2620 • (888) 933-2620

Bulletin # 100199